

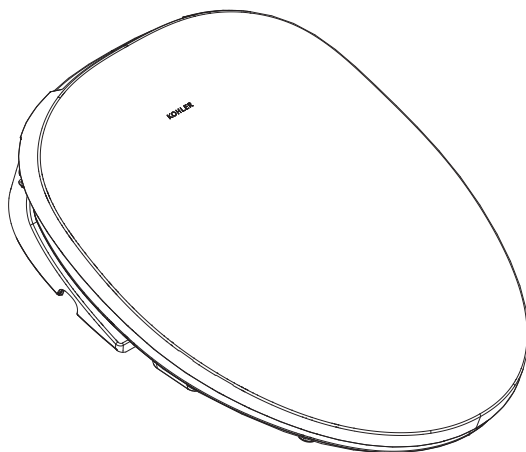
Installation Guide

安装说明

PUREWASH BIDET SEAT

清舒宝智能便盖

E720



科勒(中国)投资有限公司
中国上海市静安区江场三路158号 邮编:200436
制造商:上海科勒电子科技有限公司
中国上海市宝山区丰翔路1955号 邮编:200444

- 如果电源软线损坏，为了避免危险，必须由制造商、其服务机构或类似的专业人员更换。
- 为了安全使用本产品，请务必在海拔2000m以下使用。
- 最小进水压力为0.07MPa(动压)
最大进水压力为 0.74MPa。
- 必须使用随器具附带的新软管组件，旧软管组件不能重复使用。
- 产品固定在支撑物体上的方法参照第2\3页安装方法。
- 触电，火灾或人身伤害的危险。本产品必须安全接地。
产品只能连接到专用的220V[~]，50Hz，10A带接地故障断路器或接地漏电保护器的电路中。
- 产品损伤的危险。在所有其他安装步骤结束之前不要插电源线插头。
- 不要使用延长电线连接产品。
- 产品损坏的风险。连接本产品进水管时要小心对正螺纹，否则会损坏产品进水口螺纹，造成漏水。
- 如果产品长时间不用，请拔下插头并排干本机里的水。
- 产品损伤的风险。不要把产品安装在过分潮湿的地方，在这种地方，水汽可能凝聚在产品表面。请始终保持使用环境有足够的通风，以防止电子组件的损坏。



Warning/警告：

- 触电或产品损伤的危险。不要把产品浸入水中；产品掉入水中不能使用；防止将水淋到电源插上。
- 遵守所有当地的管道和建筑标准。
- 避免低温灼伤、触电、火灾或人身损伤。
 - 当儿童、老年人、残疾人、以及身体、感知、智力能力缺陷或经验和常识缺乏的人使用或靠近此产品时，近距离的监护是必需的。避免儿童在没有成年人的陪护下单独使用或接触此产品。不要让儿童独自待在安装有此产品的房间，儿童不应玩耍器具。
 - 对于无法自己进行温度调节操作的儿童和老人，需要帮助将便盖的圈温、冲水温度及风温调节到合适的档位。
 - 请避免长时间让裸露的皮肤接触加热坐圈，以免低温灼伤。



Attention/注意：

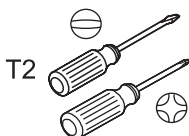
- 产品损坏或财产损失的风险。硬推、硬拉水管接头可能造成水渗漏。
- 产品损坏的风险。不要在喷嘴上施加过大的力，否则产品可能损坏。
- 请不要使用科勒不推荐的附件，如三通等。
- 如果智能坐便器产品不提供止水阀或方便操作止水阀的结构，应在安装说明书和用户手册中的醒目位置声明：“在安装本产品的同一房间中，需要在触手可及的位置安装一个止水阀，用于紧急情况下无需借助工具即可切断本产品的进水路；否则本产品的意外故障可能会导致用户损失”。
- 不要把产品浸没在水中。
- 不要把产品安装在水可能溅到的地方。
- 不要把产品安装在过分潮湿的地方。
- 只能连接自来水水源。

工具和材料



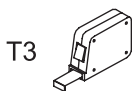
T1

可调节扳手



T2

螺丝刀



T3

卷尺



T4

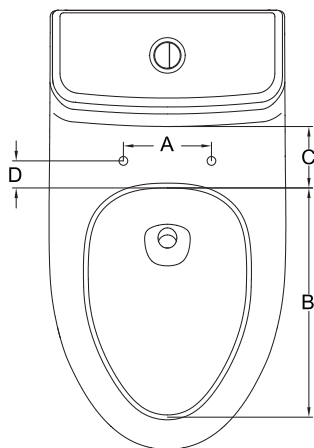
冲击钻



T5

擦布

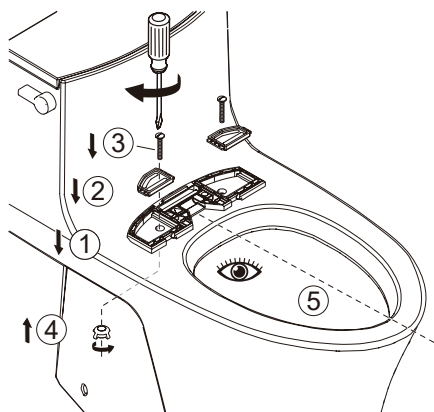
适配坐便器尺寸



- A. 坐便器安装孔的间距 140~210mm
- B. 坐便器内圈前后距离 ≥ 355 mm
- C. 坐便器内圈后端到水箱距离 ≥ 103 mm
- D. 坐便器内圈后端与安装孔的距离 37~77mm

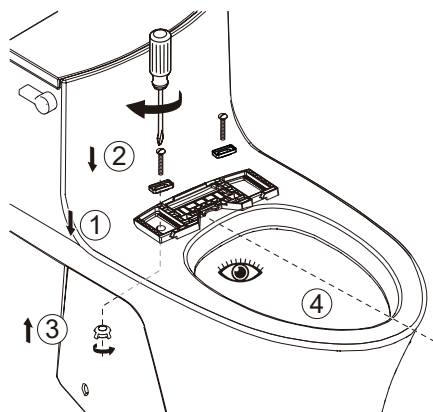
安装固定板

K-34314T-0



安装方式 A

K-34314T-HC-0



安装方式 B

(图片仅供参考)

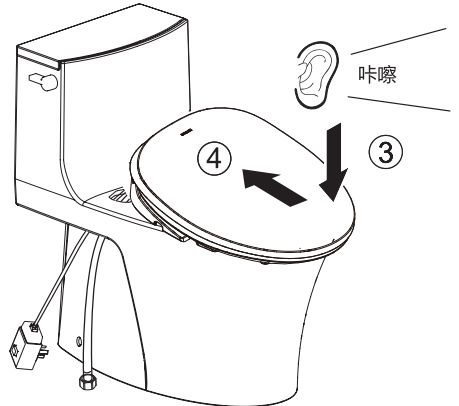
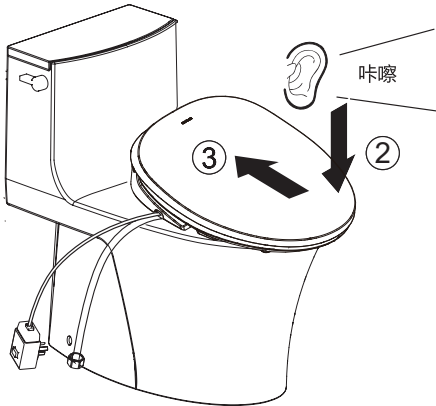
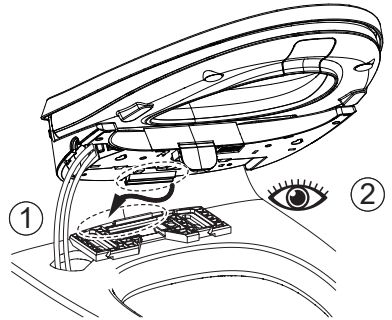
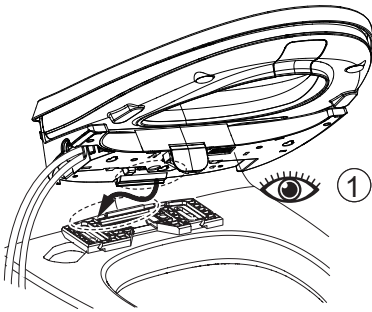
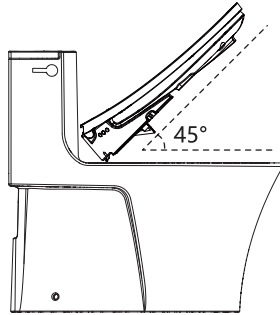
如果陶瓷上已经内嵌了安装螺纹，则不需要底部的蝶形螺母(图3)。

注：调整固定板（在已有防滑条上，适当黏贴备用防滑条，如附件包提供），可适配不同坐便器，使之与坐便盖间隙均匀，易于安装。

安装便盖

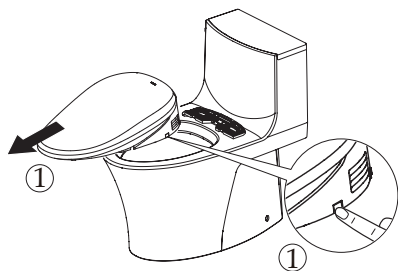
安装方式 A
侧出管线
K-34315T-0

安装方式 B
隐藏管线
K-34315T-HC-0

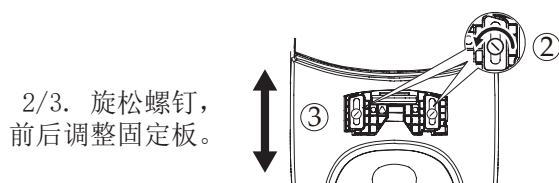


(图片仅供参考)

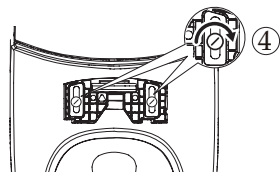
调整便盖位置



1. 按住释放按钮，同时取下便盖。



- 2/3. 旋松螺钉，前后调整固定板。



4. 重新紧固螺钉。



5. 重新安装好便盖。

(图片仅供参考)

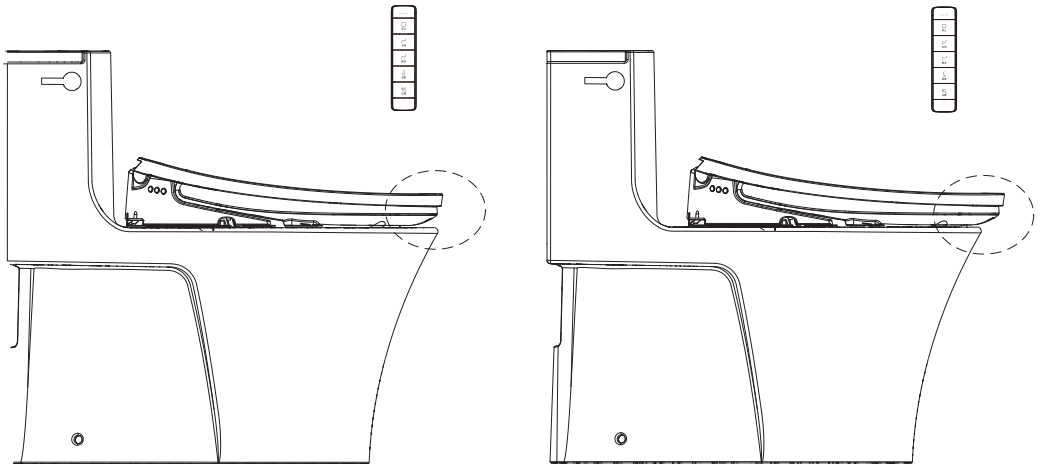
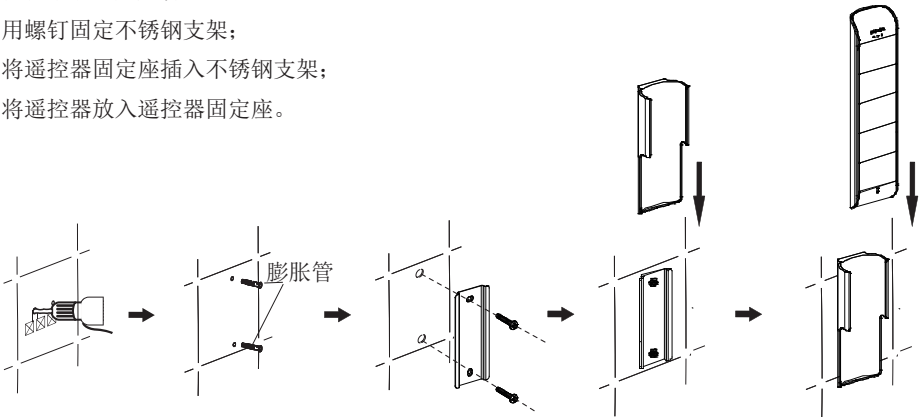
安装遥控器

注意:如果安装墙面是特定材料(比如木板、密制板等)时,使用合适的固定方法。

注意:遥控器的安装位置应该是不易被水淋到的地方。选择一个合适地方安装遥控器支架,此处应该是当你坐在坐便器上时,很容易用手操作遥控器的地方。

注意:遥控器支架背面的双面胶仅起安装时的预定位作用,需要附件包里面配备的螺钉做最终可靠固定。

- 根据遥控器支架螺钉孔的位置,用直径4.5mm的钻头在墙上钻两个深度大于25mm的孔。在孔中装入膨胀管。
- 用螺钉固定不锈钢支架;
- 将遥控器固定座插入不锈钢支架;
- 将遥控器放入遥控器固定座。

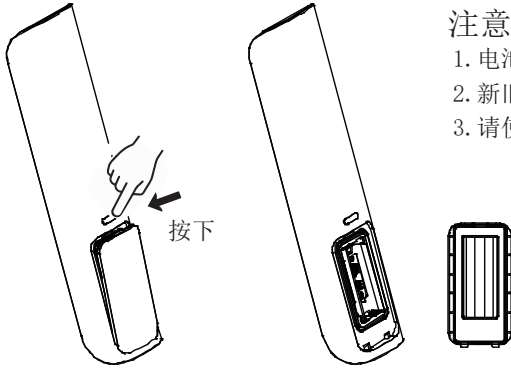


根据用户喜好,用户可以在安装板可调范围容许的情况下,选择坐圈前端与陶瓷前端齐平进行安装,也可以选择坐圈大圆角根部与陶瓷前端齐平进行安装。

遥控器电池的使用及更换

遥控器使用2节7号碱性电池。

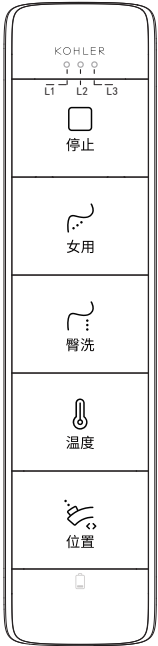
当电量不够时，遥控器上红灯闪烁或亮，提示用户需要更换电池。



注意：

1. 电池的正负极必须与遥控器上的标记一致。
2. 新旧电池不能混用。
3. 请使用碱性电池。

遥控器用户界面及配对



遥控器配对

本体正常上电，长按遥控器停止按键2秒后，档位灯按顺序 L1，L2，L3在1秒内亮起，保持全亮0.8s，遥控器进入配对模式。

在配对模式下，指示灯L1—L2—L3—L1跑马灯显示，若在30秒内同时长按本体的B1+C1两按键，直到听到一声短鸣声后放开按键。遥控器指示灯全亮表示配对成功，指示灯全亮3S后进入待机状态。

若在30秒内未配对成功，则自动退出配对模式，指示灯全灭。

遥控器其他注意事项

- 请勿将遥控器放在液体可能直接喷淋到的地方，或浸泡在液体中。
- 请勿放置在烘手机、电吹风等小型家电的周围，以免干扰遥控器的正常使用。
- 遥控器使用完毕后，应放回墙上的遥控器支架。
- 请勿对遥控器的按键区域频繁，剧烈地施加外力。
- 在使用过程中，避免遥控器跌落。

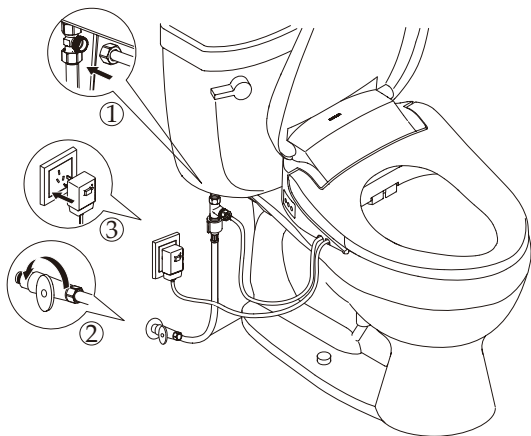
连接供水供电

重要！先通水，后通电。

重要！产品损坏的风险。小心对正进水管与便盖的螺纹，不要破坏螺纹或过于拧紧接头。为了拧紧接头，用手拧紧后用工具再拧紧1/4圈。

- 直接将三通与便盖、进水管口连接。
- 注意！对新安装的管路系统，在将进水软管连接至三通以前，须直接排水数秒，以清除管道内沙石，污垢等。
- 用提供的软管连接三通和便盖。
注意！必须使用随器具附带的新软管组件，旧软管组件不能重复使用。
- 拧紧各处接口。
- 打开供水系统。

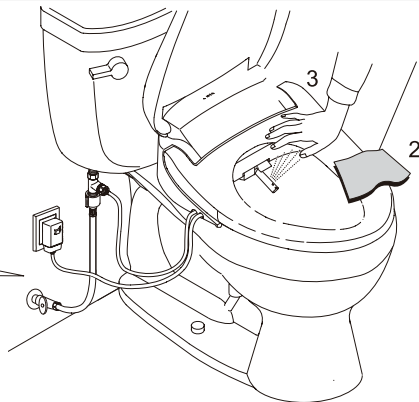
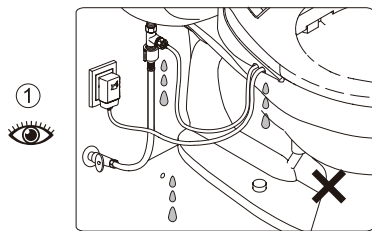
注意！一定要先彻底冲洗供水管以清除管道中的杂质，使用水源为饮用自来水，切勿使用工业用水、废水、污水以及海水。



(图片仅供参考)

安装检查

当电源线插上电源插座，便盖发出短蜂鸣1次，喷管伸缩1次，侧键盘上指示灯闪烁，直至初始化结束。



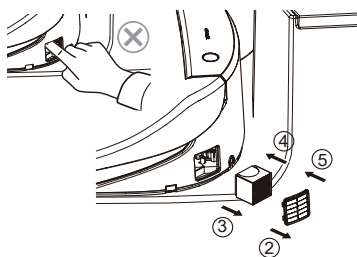
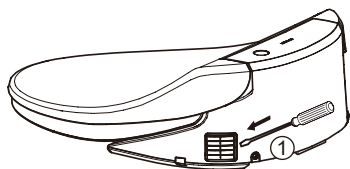
坐圈设计为落座感应模式。湿毛巾应放在坐圈右边离前端大约1/3之处(感应区域)。

按用户手册的“初次使用前准备”章节开启产品。

继续参考用户手册中的“使用指导”部分来测试产品的不同功能。

更换除臭块

当发现除臭效果不明显, 感觉有异味时, 请及时更换除臭块。



扫码查看替换装,
型号: 34314T-NA

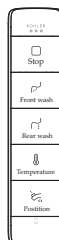
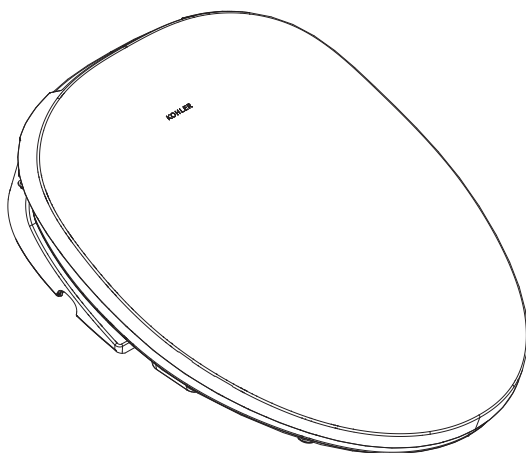
扫描右侧二维码, 可以查阅电子版英文说明书。



Scan for English manuals.

Installation Guide

PUREWASH BIDET SEAT E720



Kohler (China) Investment Co., Ltd.

No.158, Jiangchang 3rd Road, Jing'an District, Shanghai, China. Postal Code: 200436

Manufactured by: Shanghai Kohler Electronics Technology Co., Ltd.

No. 1955, Fengxiang Road, Baoshan District, Shanghai, China. Postal Code: 200444

- In case the power cord is damaged: to avoid danger, it must be replaced by the manufacturer, its authorized service organization, or qualified professionals.
- To ensure safe use of this product, it must be used at altitudes below 2,000 meters.
- Min water pressure 0.07MPa (dynamic pressure)Max water pressure 0.74MPa.
- It is required to use the new hose assembly attached with the appliance. Do not re-use the old one.
- Refer to the installation method on pages 2/3 for how to secure the product to a support object.
- Risk of electric shock, fire, or personal injury. This product must be grounded safely. This product can be connect only to dedicated 220V~, 50Hz, 10A circuit protected by Ground-Fault Circuit-Interrupters (GFCI's) or Earth-Leakage Circuit-Breakers (ELCB's).
- Risk of product damage. Do not plug in the power cord before all other installation steps have been completed.
- Do not use an extension cord to connect the product.
- Risk of product damage. Be careful to align the thread when connecting the inlet pipe. Otherwise, it may damage the thread of the product water inlet and cause leakage.
- If the product will not be used for a long time, unplug it and drain all water from the unit.
- Risk of product damage. Do not install the product at a place with excessive humidity, where moisture may condense on the product surface. Ensure the operating environment is always well-ventilated to prevent damage to the electronic components.



Warning:

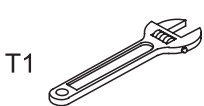
- Risk of electric shock or product damage. Do not immerse the product in water; do not use the product that has been dropped in water; water should not be poured on the power plug.
- Observe all local plumbing and building codes.
- Prevent low-temperature burns, electric shock, fire, or personal injury.
 - Children, elders or those with disabilities from their body, sensitivity or mental disabilities or lacking of common sense should not use or get close to this product unless under close tutelage. Avoid children using or coming into contact with this product alone without adult supervision. Do not leave children alone in a room with such product. Children should not play with the appliance.
 - For children and the elderly who are unable to adjust temperatures independently, assistance should be provided to set the bidet seat's temperature, water spray temperature, and air temperature to appropriate settings.
 - Exposed skin should not make contact with the heated seat for too long a time to prevent low temperature burning.



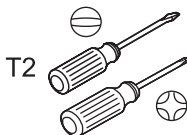
Attention:

- Risk of product damage or property loss. Water leakage may happen if the water pipe connector is pulled or pushed with excessive force.
- Risk of product damage. The product may be damaged if applying excessive force to the nozzle.
- Do not use attachments not recommended by Kohler Co. such as T-valve etc.
- If the smart toilet does not provide a water stop valve or a mechanism for easy operation of the water stop valve, a prominent statement should be included in the Installation Guide and Homeowners Guide: "When installing the product in a room, a water inlet angle valve shall be installed in a close proximity. For emergency circumstances, the water inlet valve can be turned off without using any tools; otherwise unexpected failure may cause the loss to the customer."
- Do not immerse the product in water.
- Do not install at a place where it may be splashed by water
- Do not install the product at a place with excessive humidity.
- Only tap water can be connected.

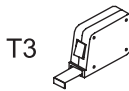
Tools and Materials



Adjustable wrench



Screwdriver



Tape

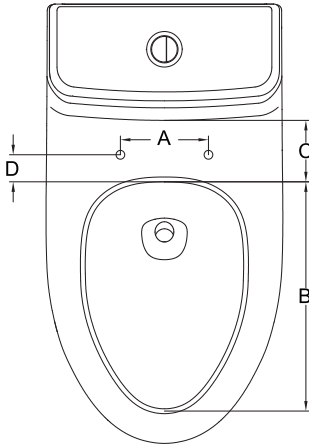


Percussion



Wiper

Proper Toilet Dimension Requirement



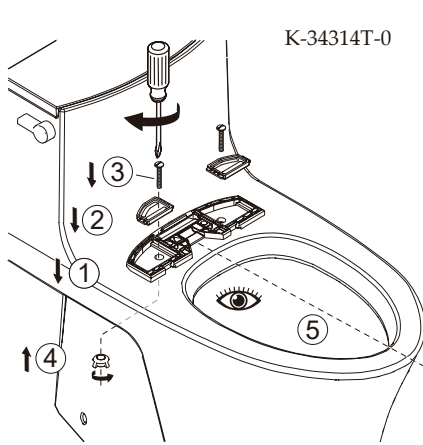
A. Mounting hole dimension 140~210mm

B. Toilet inner rim dimension ≥ 355 mm

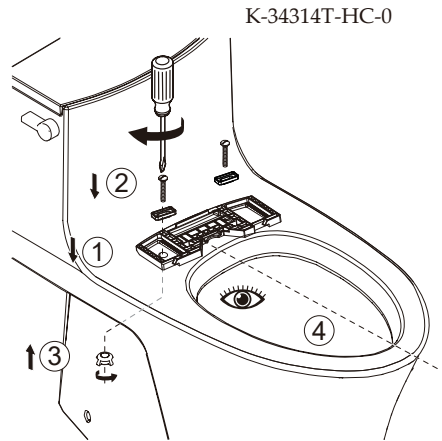
C. Dimension from the rear end of the toilet inner rim to the water tank ≥ 103 mm

D. Dimension between the rear end of the toilet inner rim and the mounting hole 37~77mm

Install Mounting Plate



Installation method A



Installation method B

(Reference picture)

If the mounting threads are already embedded in the ceramic, the bottom wing nut is not required (Figure 3).

Note: Adjust the mounting plate (Stick the other anti-slide strip provided in the accessory kit onto the one already stuck on as needed). It fits various bidets, making the gap between the seat and the bowl even, and ensuring that the mounting plate is easy to install.

Install Bidet Seat

Installation method A

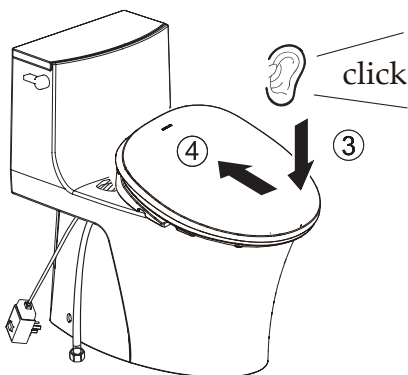
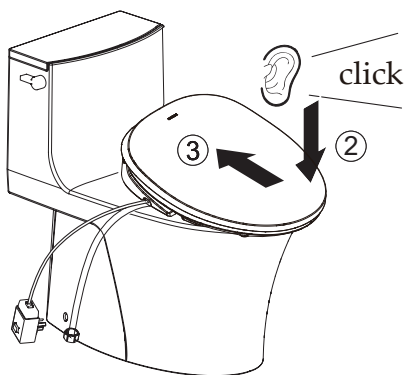
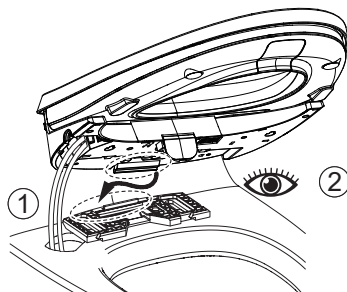
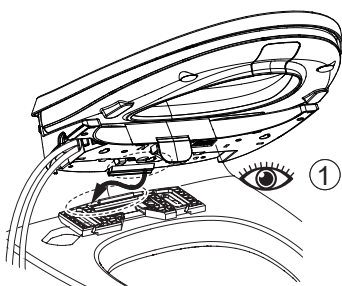
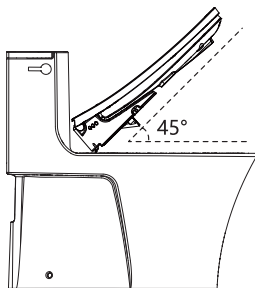
Side cord

K-34315T-0

Installation method B

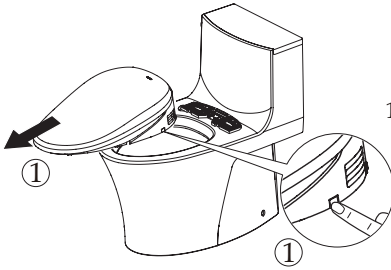
Hidden cord

K-34315T-HC-0



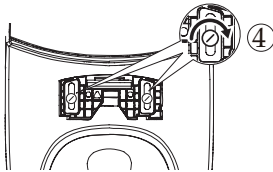
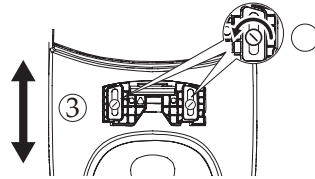
(Reference picture)

Adjust bidet seat



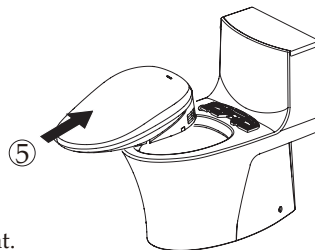
1. Press and hold the release button while removing the bidet seat.

2/3. Loosen the screws and adjust the mounting plate front and rear.



4. Re-tighten the screws.

5. Reinstall the bidet seat.



(Reference picture)

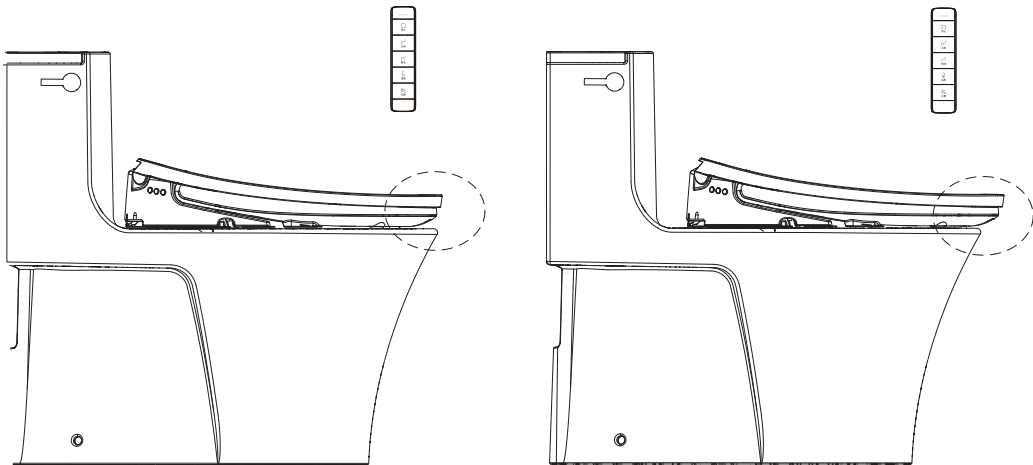
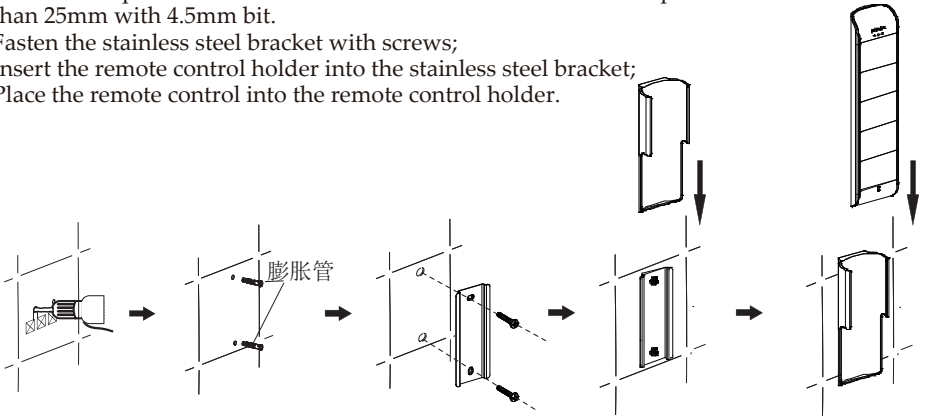
Installation of remote control

Note: If the wall for installation is made of special material (such as woodboard, density board and etc.), proper fixing methods shall be adopted.

Note: The place to install the remote control shall not be easily splashed by water.

Choose a mounting location for the remote holder that is easily accessible while sitting on the seat. Note: The double-sided tape on the back of the remote control bracket only serves for pre-positioning during installation; final secure fastening must be done with the screws included in the accessory kit.

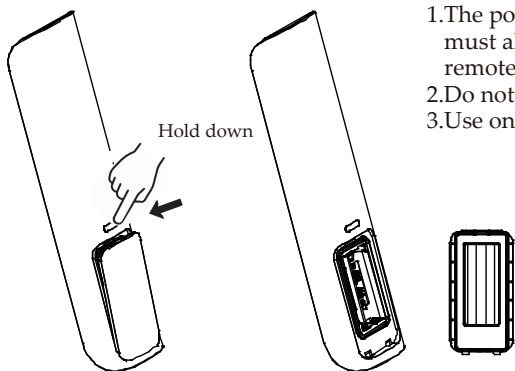
- Confirm the position of the remote dock and drill 2 holes with depth no less than 25mm with 4.5mm bit.
- Fasten the stainless steel bracket with screws;
- Insert the remote control holder into the stainless steel bracket;
- Place the remote control into the remote control holder.



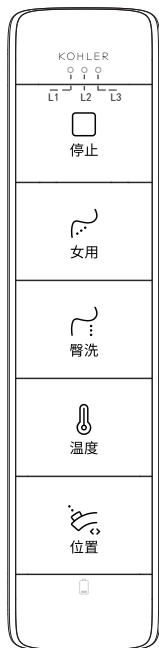
Within the allowable adjustment range of the mounting plate, users can choose to install the toilet seat with either its front edge flush with the front edge of the ceramic pan, or the root of its rounded corner flush with the front edge of the ceramic pan.

The remote control takes two AAA alkaline batteries.

When the battery is low, the red light on the remote control flashes or stays on, prompting the user to replace the batteries.



- 1.The positive and negative poles of the batteries must align with the markings on the remote control.
- 2.Do not mix new and used batteries.
- 3.Use only alkaline batteries.



Remote Control Pairing

When the main unit is powered on normally, press and hold the Stop Button on the remote control for 2 seconds. The gear indicator lamps L1, L2 and L3 will light up in sequence within 1 second, remain fully lit for 0.8s, and then the remote control enters the pairing mode.

In pairing mode, the indicator lamps will display a chasing light effect in the order of L1→L2→L3→L1. Within 30 seconds, press and hold both B1 and C1 buttons on the main unit simultaneously, and release the buttons until a short beep is heard. A full light-up of all indicator lamps on the remote control indicates a successful pairing; the lamps will stay fully lit for 3s and then the remote control enters standby mode.

If pairing is not completed successfully within 30 seconds, the remote control will automatically exit the pairing mode and all indicator lamps will turn off.

Remote Control - Additional Notes

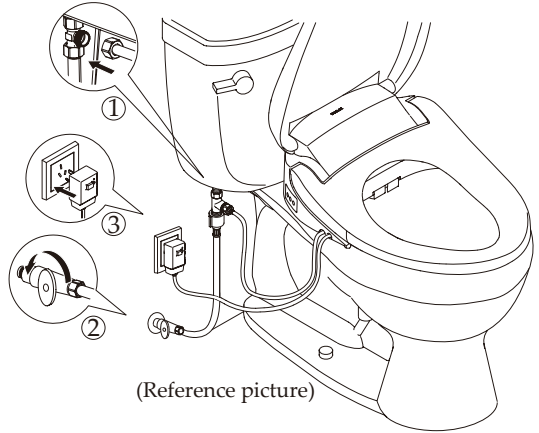
- Do not place the remote control where it may be directly sprayed with liquid or immersed in liquid.
- Do not place it near small household appliances such as hand dryers or hair dryers, to avoid interfering with the normal operation of the remote control.
- After using the remote control, place it back into the wall-mounted remote control bracket.
- Do not apply frequent or excessive force to the button area of the remote control.
- Avoid dropping the remote control during use.

Connect Water and Power Supply

Important! First water, then power.

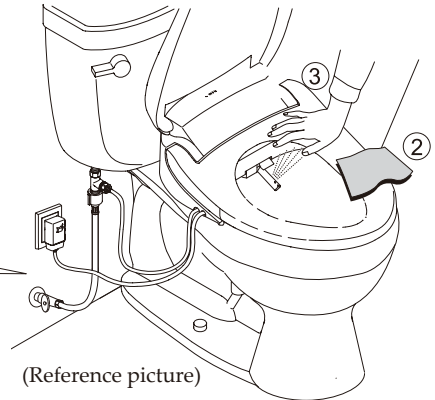
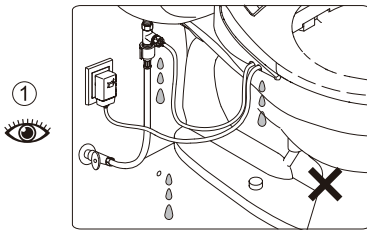
Important! Risk of product damage. Carefully align the threads of the inlet pipe with that of the bidet seat. Do not break the threads or over tighten the joint. To fix the joint, tighten it with your hands and twist it a 1/4 turn with a tool.

- Directly connect the tee joint with the bidet seat and the inlet pipe.
- Attention! For newly installed piping systems, before connecting the inlet hose to the tee joint, the system must directly drain water for several seconds to remove sand and dirt from the pipeline.
- Use the provided hose to connect the tee and bidet seat. Attention! It is required to use the new hose assembly attached with the appliance. Do not re-use the old one.
- Tighten all connectors.
- Open the water supply system.
Attention! Be sure to thoroughly rinse the water supply pipe to remove impurities from the pipeline. Use drinkable tap water as the water source. Do not use industrial water, wastewater, sewage or sea water.



Installation Inspection

Plug the power line into socket. Bidet seat generates one short beep, wand extends and retracts once, nightlight flash, until initialization completes.

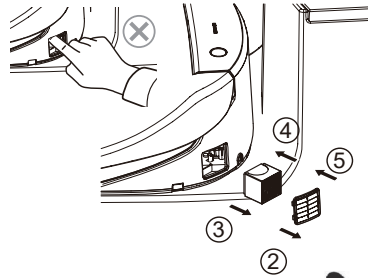
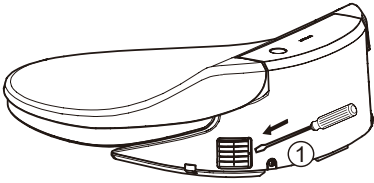


The seat is designed to be seat-on detection mode. A wet towel shall be placed on the right of the seat at the 1/3 position away from the front end (sensing area).

- Turn on this product according to the “Preparations Before Initial Operations” section of the Homeowners Guide.
- Continue to read the “Use Guide” section of the Homeowners Guide to test functions of this product.

Replace the deodorizing block

Please replace the deodorant block in a timely manner when the deodorization effect is not obvious and an unpleasant odor is detected.



Scan the QR code to view refill packs. Model No.:34314T-NA



Scan for English manuals.